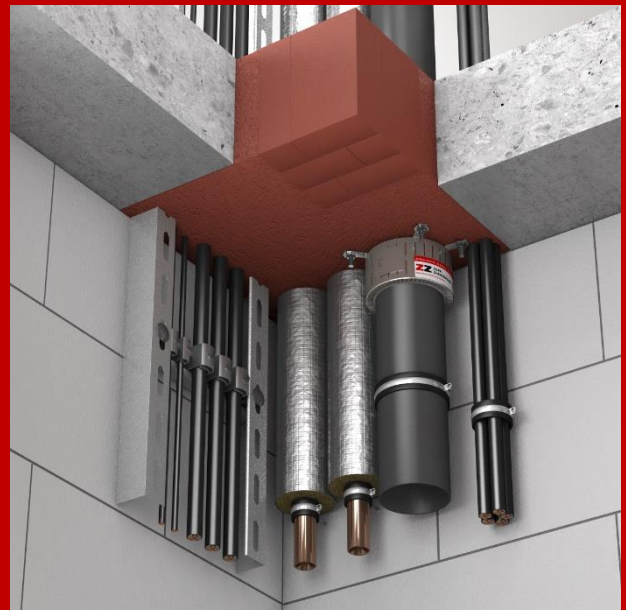
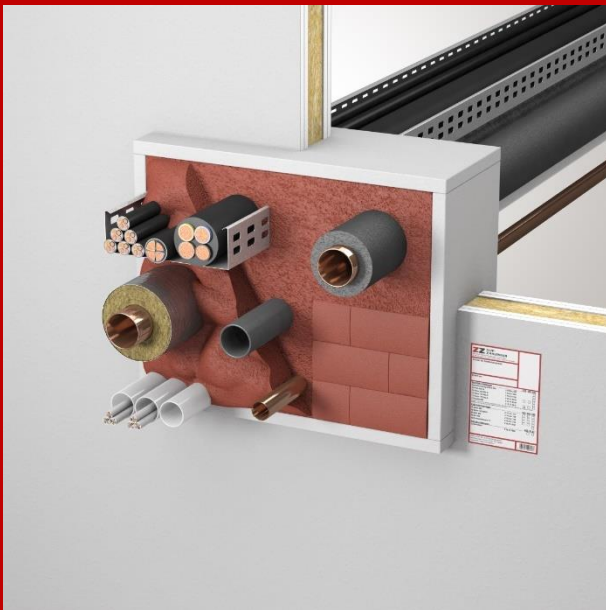

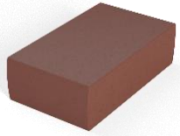





INSTALLATION MANUAL MIXED PENETRATION SEAL

ZZ[®] M30 ETA-11/0206



SYSTEM COMPONENTS MIXED PENETRATION SEAL

Illustration	Designation
	ZZ® 330 Fire Protection Foam
	ZZ® 230 Fire Protection Block
	ZZ® 451 Fire Protection Bandage
	ZZ® 430 Fire Protection Collar
	Identification Plate for systems according to abZ / aBG / ETA for individual approval

NOTES ON INSTALLATION REQUIREMENTS

/ The instructions provided in the corresponding documentation (ETA) for the use and application of individual components must be strictly adhered to.

/ Prior to installing the system component, the minimum component thickness, necessary installation depth, opening size, required installations, working clearances, spacing regulations, and potential re-occupation must be assessed and dimensioned accordingly.

/ Special precautions must be taken for installation in flexible walls.

FURTHER NOTES

/ **ZZ® M30 Mixed Penetration Seal** can also be implemented as a blank partition. For this purpose specifications from the approval are to be observed.

/ Attention is drawn to the compliance with safety data sheets.

/ For further information and documents, please refer to the download section of our website:

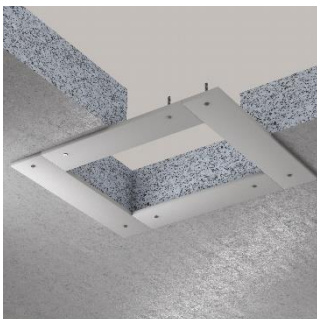
www.z-z.de

www.z-z.eu



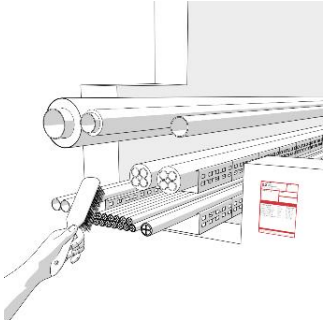
Any further questions?
Please contact our technical support:
phone: +49 221 97061-720 or email: support@z-z.de

INSTALLATION OF FRAMES AND LININGS



If necessary, skirtings must be provided and for flexible walls is a lining necessary. The requirements for effective fire protection are to be found in the respective certifications.

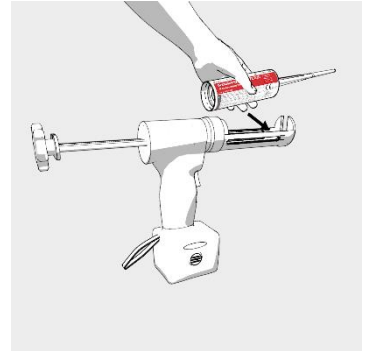
INSTALLATION OF **ZZ® 330** Fire Protection Foam



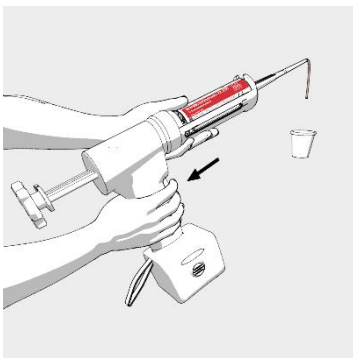
Clean component aperture.



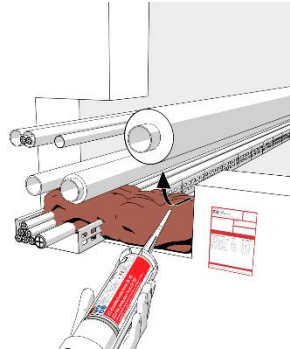
Hold the cartridge vertically with the tip pointing upward, unscrew the sealing cap and screw on the mixer provided.



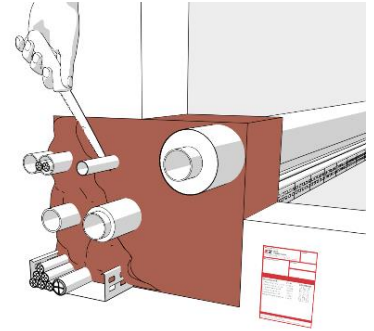
Insert the cartridge into the dispensing gun.



Start pressing out **ZZ® 330 Fire Protection Foam** and discard non-uniform initial material.

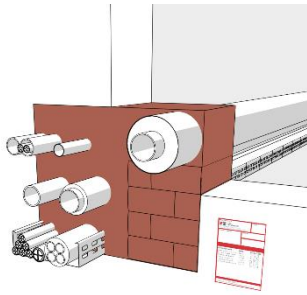


ZZ® 330 Fire Protection Foam should be worked into the opening from back to front. In this process build up the foam from bottom to top, always guide the tip of the mixing nozzle above the foam so that the material does not stick or clog. If work is interrupted for more than 50 seconds the foam will harden in the mixer.

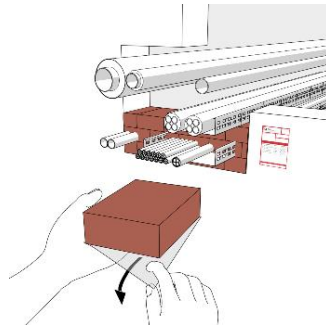


Trim any excess **ZZ® 330 Fire Protection Foam** with a suitable knife after approximately 2 minutes, observing the necessary safety precautions and regulations.

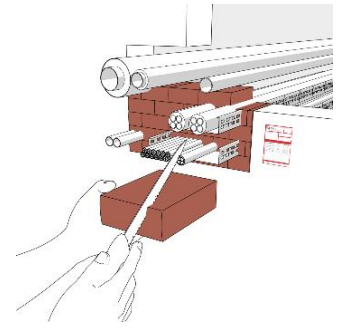
INSTALLATION OF **ZZ**[®] 230 Fire Protection Block



ZZ[®] 230 Fire Protection Block can be used to fill large exposed areas.



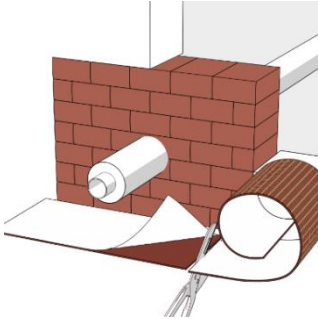
Install the **ZZ**[®] 230 Fire Protection Block snugly in the masonry bond within the component opening, after removing the protective film.



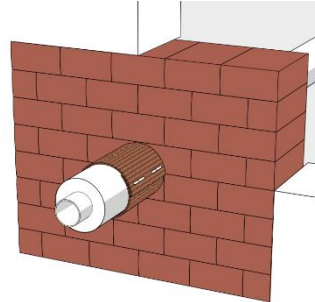
Cut the **ZZ**[®] 230 Fire Protection Block to the size of the exposed area. Then the remaining opening must be sealed with **ZZ**[®] 330 Fire Protection Foam in accordance with instructions

INSTALLATION OF ZZ[®] 451 Fire Protection Bandage

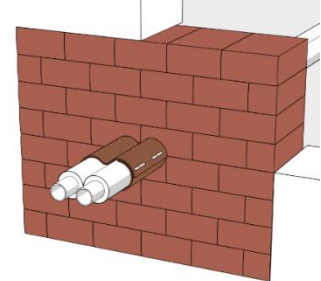
The installation of ZZ[®] 451 Fire Protection Bandage is sometimes required around cables, cable support systems or pre-insulated metal pipes. (certification)



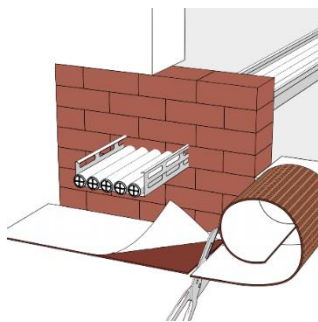
Cut off a sufficiently long piece of ZZ[®] 451 Fire Protection Bandage and after removing dirt from the installation, peel off the protective film and apply the bandage. For wall mounting, apply on both sides, and for ceiling mounting, apply it on the upper side of the ceiling.



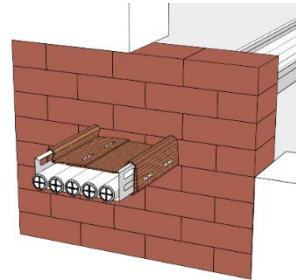
The beginning and end of the ZZ[®] 451 Fire Protection Bandage must be connected with at least two steel clips or steel wire. The length of overlap must be at least 45 mm.



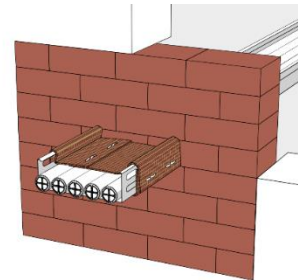
ZZ[®] 451 Fire Protection Bandage can be applied in pairs with zero spacing for certain pipes, using a single bandage.



Cut off a sufficiently long piece of ZZ[®] 451 Fire Protection Bandage and after removing dirt from the installation, peel off the protective film and apply the bandage.

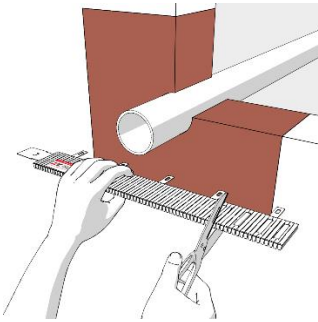


The beginning and end of the ZZ[®] 451 Fire Protection Bandage must be connected with at least two steel clips or steel wire. The length of overlap must be at least 45 mm.

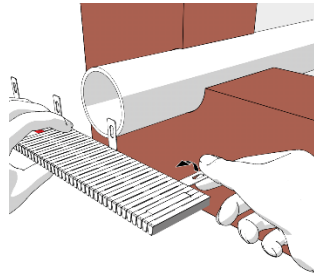


For wall mounting, apply ZZ[®] 451 Fire Protection Bandage on both sides, and for ceiling mounting, apply it on the upper side of the ceiling.

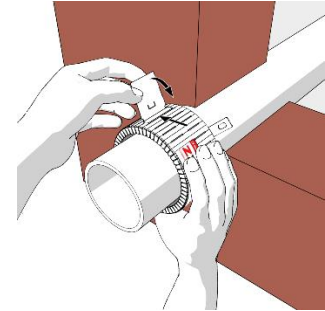
INSTALLATION OF **ZZ**[®] 430 Fire Protection Collar



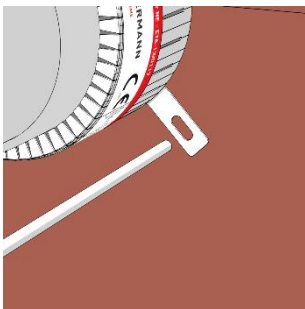
Select the suitable collar size for the pipe or cut the **ZZ**[®] 430 Fire Protection Collar to size.



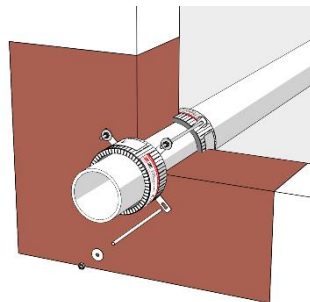
Bend all fastening tabs outward at a right angle. For soundproofing reasons, the PE sound insulation can be used under the sleeve, and optionally through the penetration sealing. The insulation can be attached around the installation using the included adhesive strip.



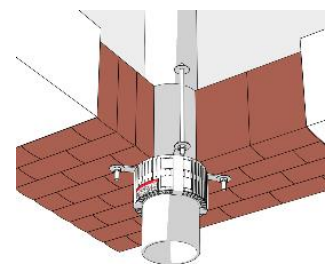
Place the **ZZ**[®] 430 Fire Protection Collar around the pipe. Fasten the fire protection collar by pulling the locking tab through the opening and bending the tab 180°.



Pass the $\varnothing 6$ mm threaded rods through the penetration and secure **ZZ**[®] 430 Fire Protection Collar with washers and nuts.



For wall mounting, apply **ZZ**[®] 430 Fire Protection Collar on both sides. Therefore the same threaded rods can be used for both sleeves.



ZZ[®] 430 Fire Protection Collar must be installed on the underside for ceiling mounting.

ZAPP-ZIMMERMANN GmbH
Marconistraße 7-9
50769 Cologne, Germany

Telefon: +49 221 97061-700
Fax: +49 221 97061-929
E-Mail: info@z-z.eu

Images

ZAPP-ZIMMERMANN GmbH

Copyright

© ZAPP-ZIMMERMANN GmbH

Last revised 18.04.2024/ TP220704

Modifications and errors excepted.

Reprint, as well as any duplication

Only with our written consent.

ZZ[®], **ZZ**[®] and ZZ ZAPP-ZIMMERMANN[®] are
registered trademarks on behalf of ZAPP-ZIMMERMANN GmbH